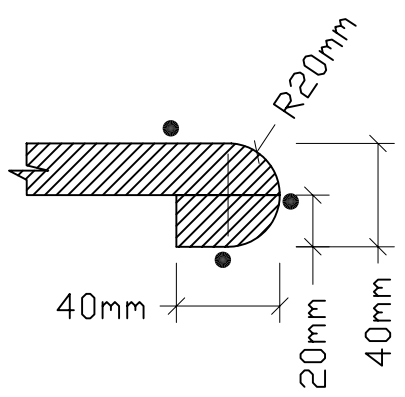


Laminated Bullnose



Remarks: materials.size.quantities are accordins to requinement.



Client	Profect	Style	Material	QTY	Rev.Date	SCALE	Drafter	DWG#
	Counter Top					Do Not SCALE		